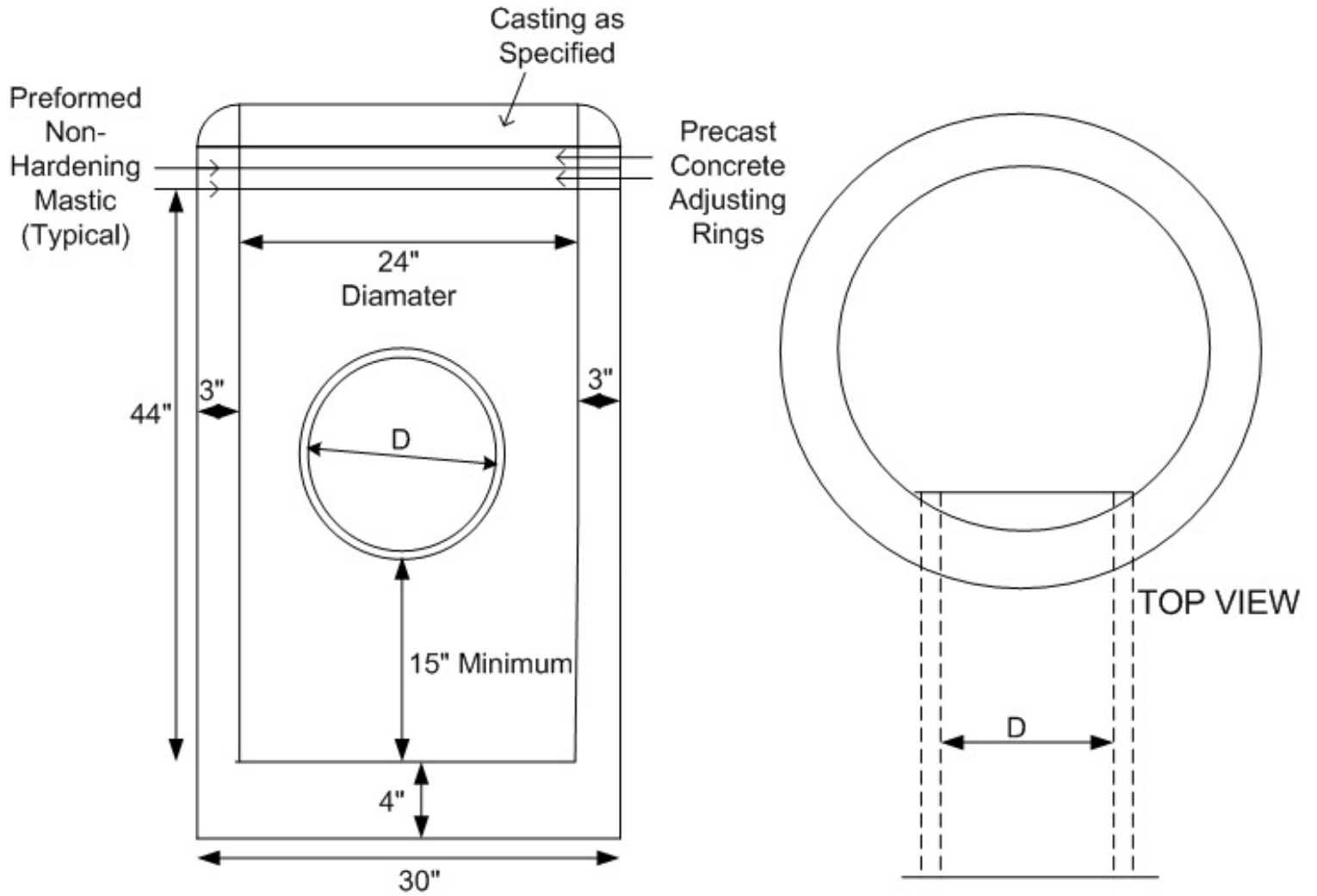


TYPICAL PRECAST CONCRETE CATCHBASIN TYPE C



2121 Maple Road
Joliet, IL 60432
Phone: (815)726-3351
Fax: (815) 726-2945

TYPICAL
PRECAST
CATCHBASIN
TYPE C

For pricing information,
phone, fax or email
estimate@norwalktank.com