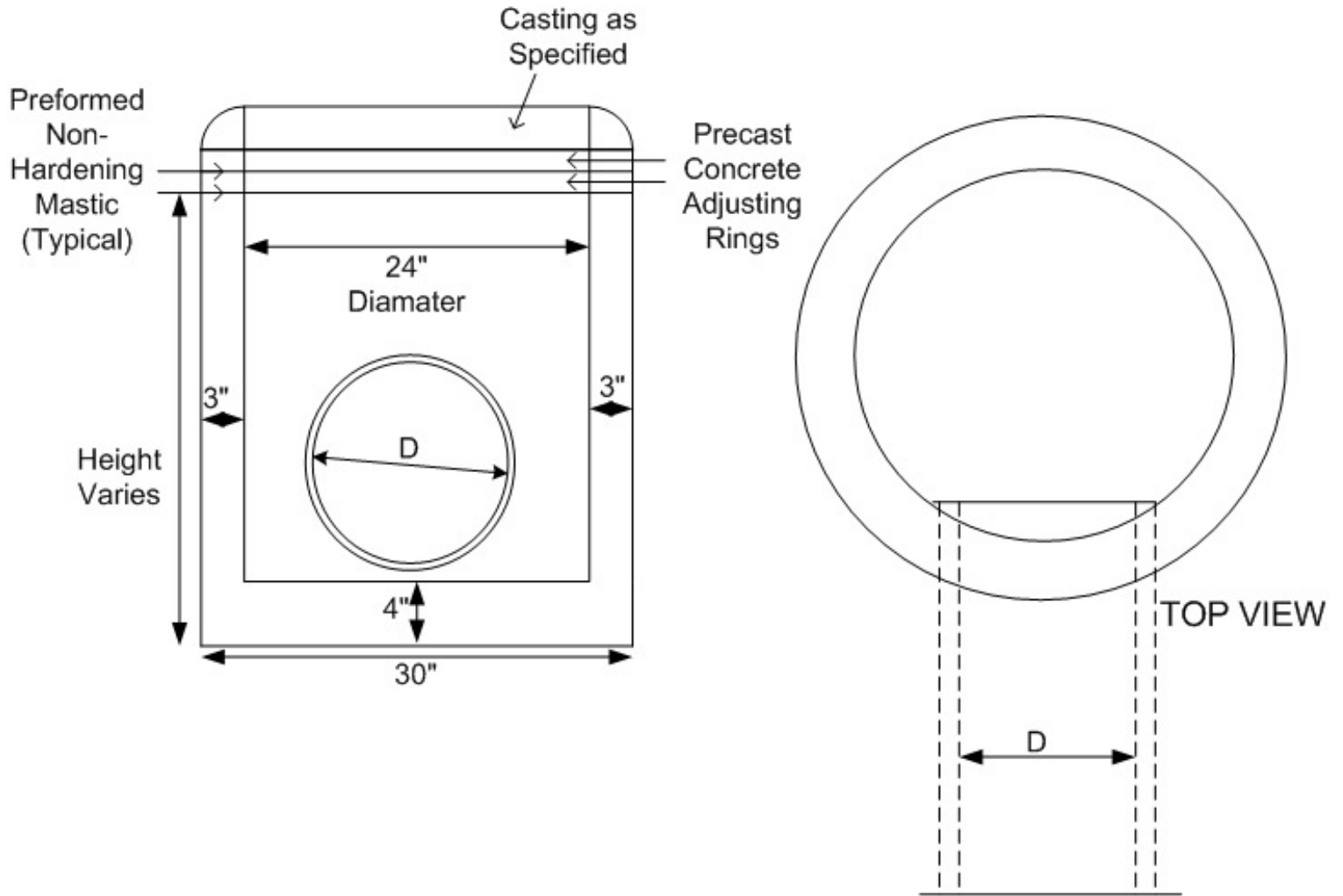


TYPICAL PRECAST CONCRETE TYPE A INLET



NORWALK
NTCO **TANK**
COMPANY

2121 Maple Road
Joliet, IL 60432
Phone: (815)726-3351
Fax: (815) 726-2945

TYPICAL
PRECAST INLET
TYPE A

For pricing information,
phone, fax or email
estimate@norwalktank.com