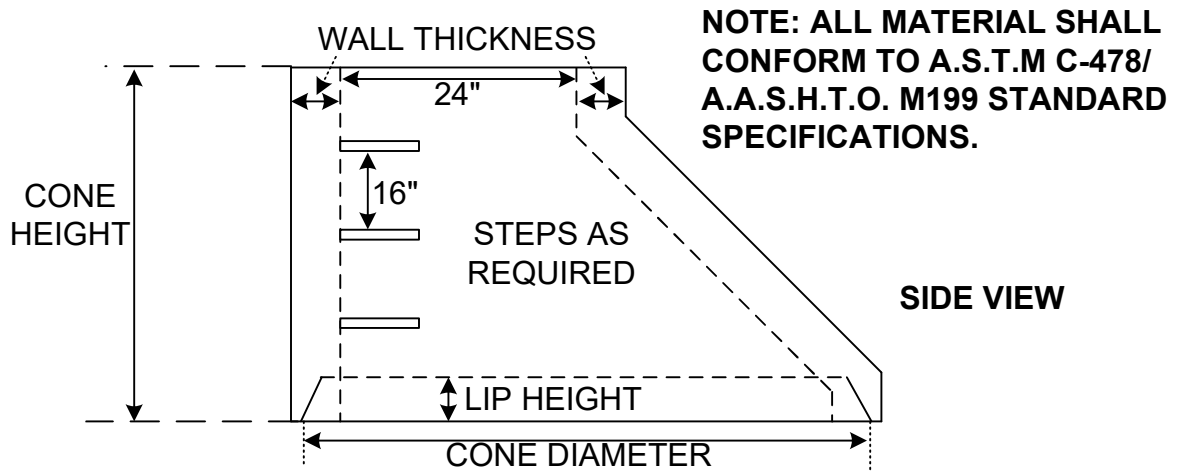
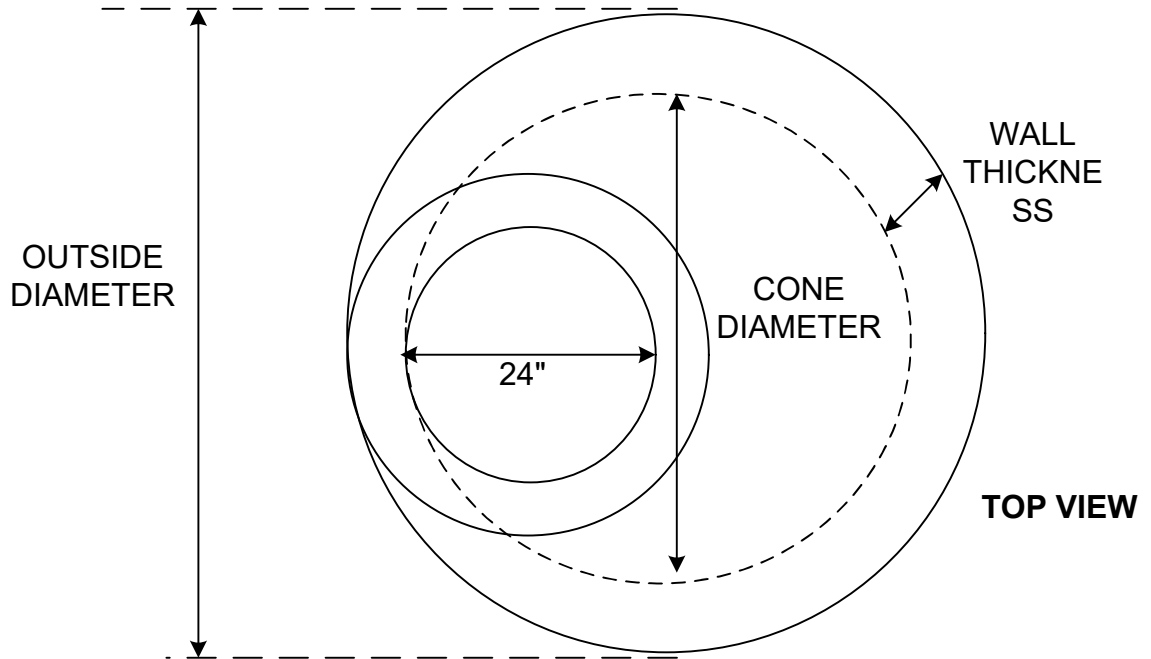


TYPICAL PRECAST MANHOLE ECCENTRIC CONE



NOTE: ALL MATERIAL SHALL CONFORM TO A.S.T.M C-478/ A.A.S.H.T.O. M199 STANDARD SPECIFICATIONS.

ITEM	~INSIDE DIA.	~HEIGHT	~OUTSIDE DIA.	~WALL THICKNESS	~LIP HEIGHT
3CONE18	36"	18"	48"	4"	3.5"
4CONE18	48"	18"	58"	5"	4.5"
4CONE30	48"	30"	58"	5"	4.5"
4CONE36	48"	36"	58"	5"	4.5"
4CONE40	48"	40"	58"	5"	4.5"
5CONE36	60"	36"	72"	6"	6"



2121 Maple Road
 Joliet, IL 60432
 Phone: (815)726-3351
 Fax: (815) 726-2945

TYPICAL
 PRECAST
 MANHOLE
 ECCENTRIC
 CONE

For pricing information,
 phone, fax or email
bids@norwalktank.com