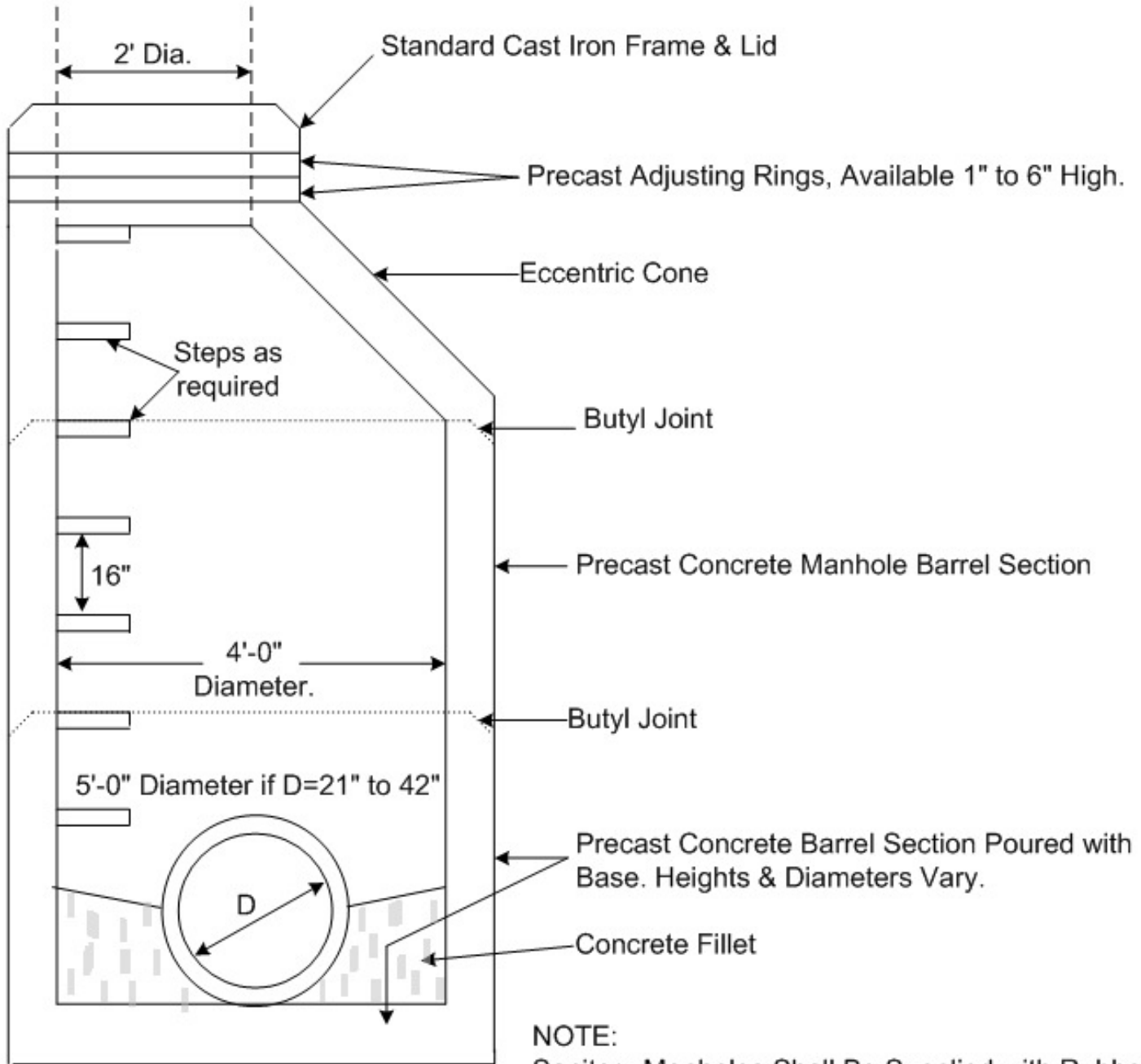


TYPICAL PRECAST CONCRETE SANITARY MANHOLE



NOTE:

Sanitary Manholes Shall Be Supplied with Rubber Gasketed Couplings Per A.S.T.M. C-923 At Inlet and Outlet Points of Manhole.



**NORWALK
TANK
COMPANY**

2121 Maple Road
Joliet, IL 60432
Phone: (815)726-3351
Fax: (815) 726-2945

EXAMPLE OF
TYPICAL
PRECAST
CONCRETE
SANITARY
MANHOLE

For pricing information,
phone, fax or email
estimate@norwalktank.com