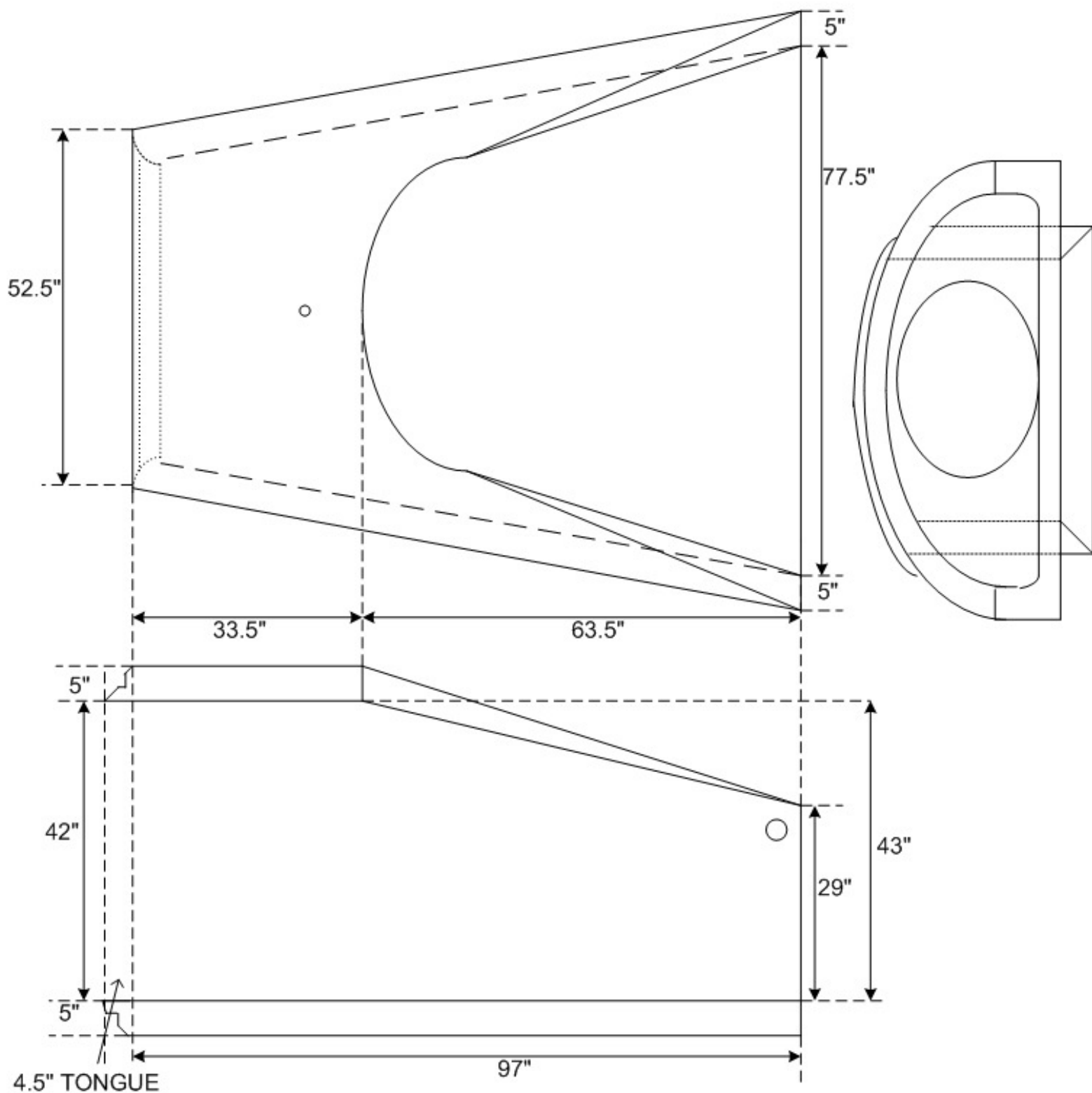


# 42" FLAT BOTTOM FLARED END SECTION



**NORWALK  
TANK  
COMPANY**

2121 Maple Road  
Joliet, IL 60432  
Phone: (815)726-3351  
Fax: (815) 726-2945

42" FLAT  
BOTTOM  
FLARED END  
SECTION

For pricing information,  
phone, fax or email  
[estimate@norwalktank.com](mailto:estimate@norwalktank.com)