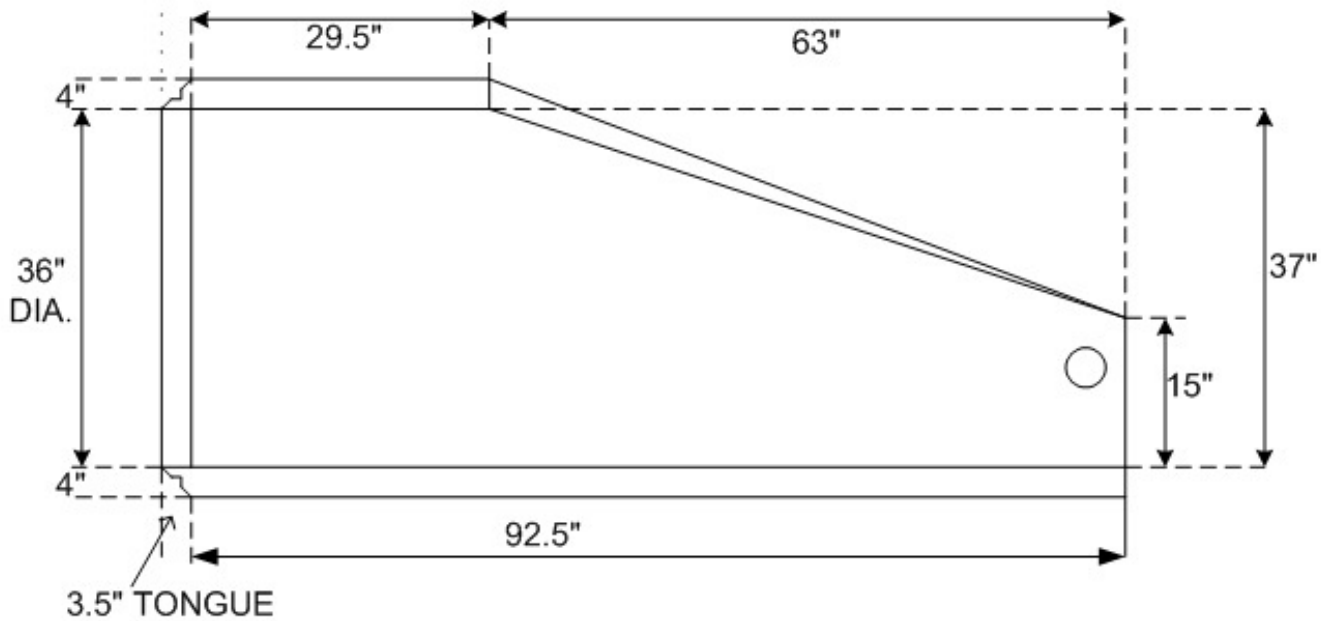
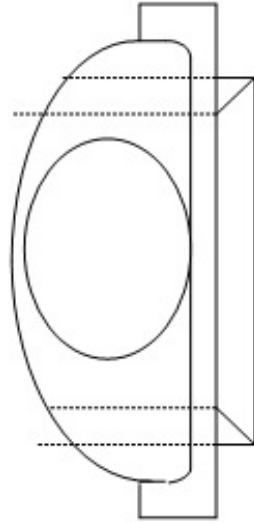
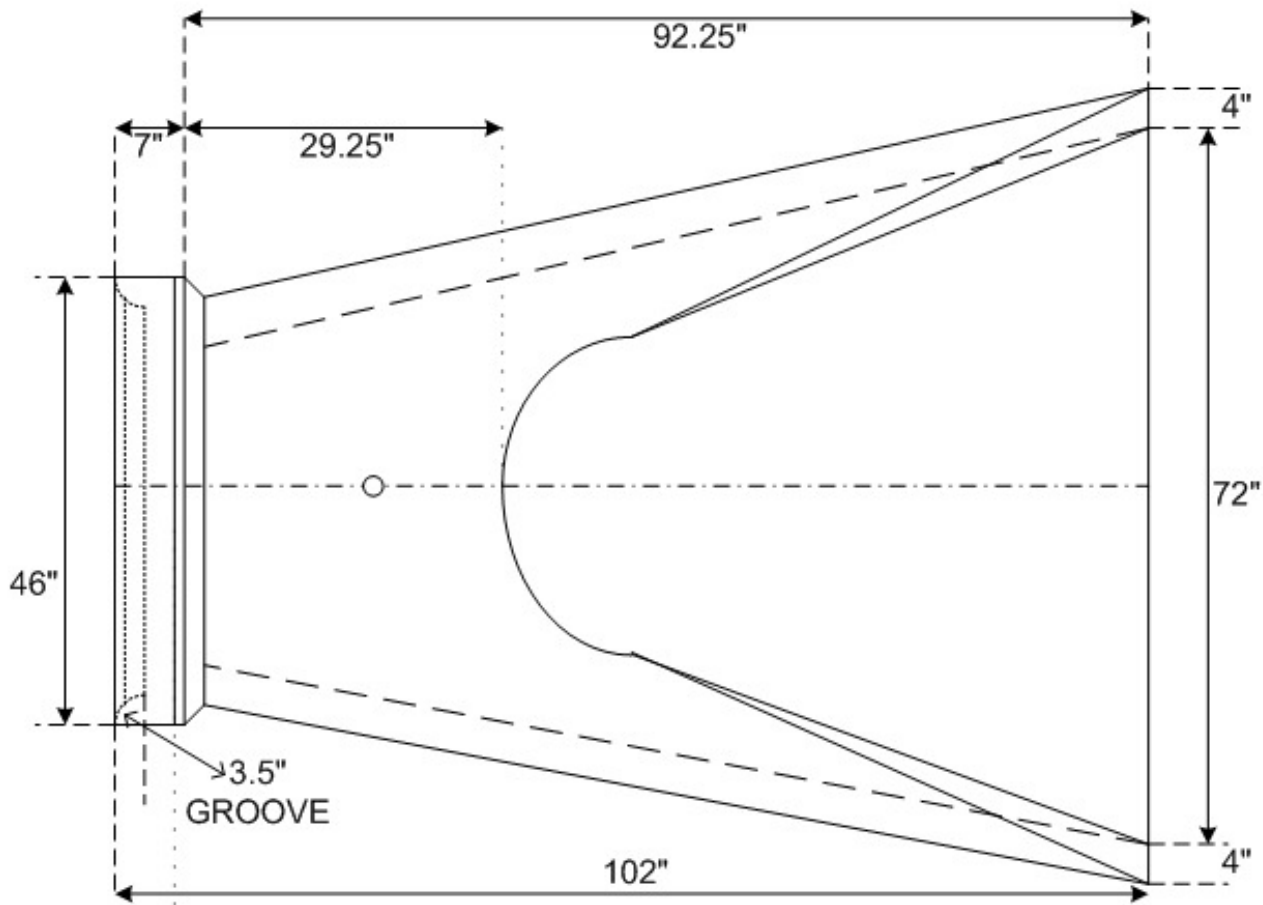


36" FLAT BOTTOM FLARED END SECTION W/MODIFIED BELL



**NORWALK**  
**TANK**  
**COMPANY**

2121 Maple Road  
 Joliet, IL 60432  
 Phone: (815)726-3351  
 Fax: (815) 726-2945

36" FLAT  
 BOTTOM  
 FLARED END  
 SECTION W/  
 MODIFIED BELL

For pricing information,  
 phone, fax or email  
[estimate@norwalktank.com](mailto:estimate@norwalktank.com)