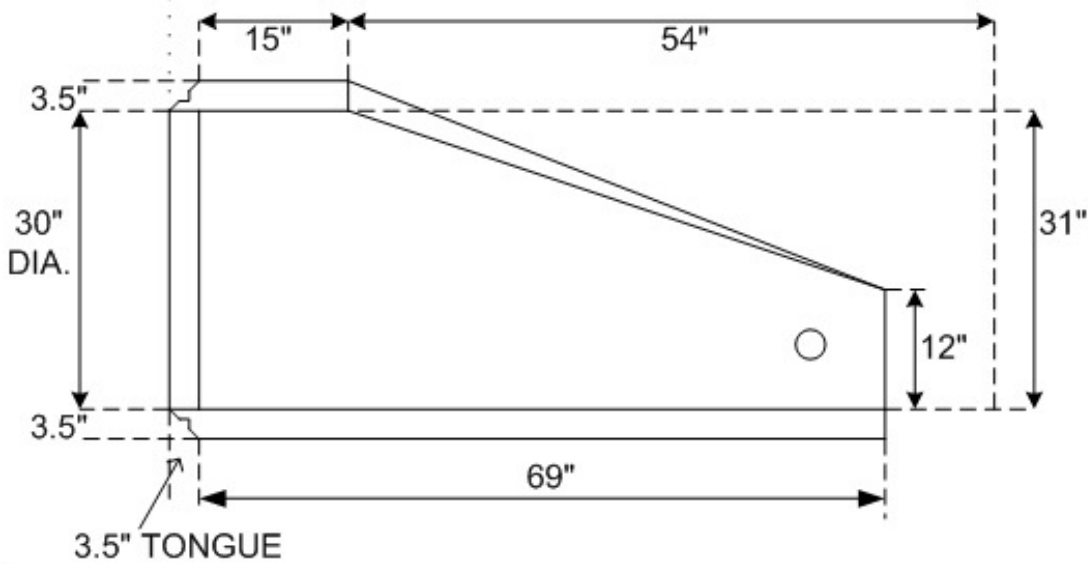
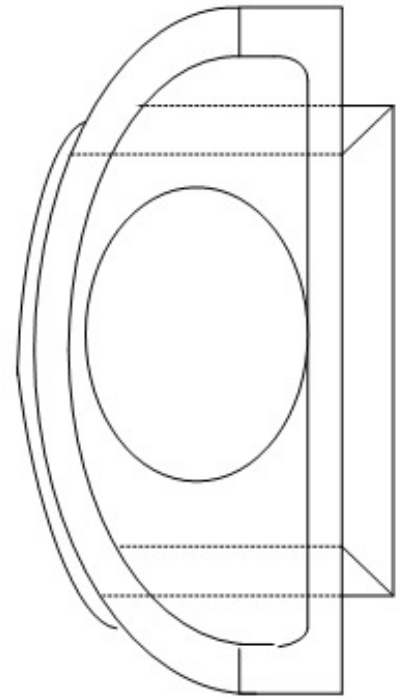
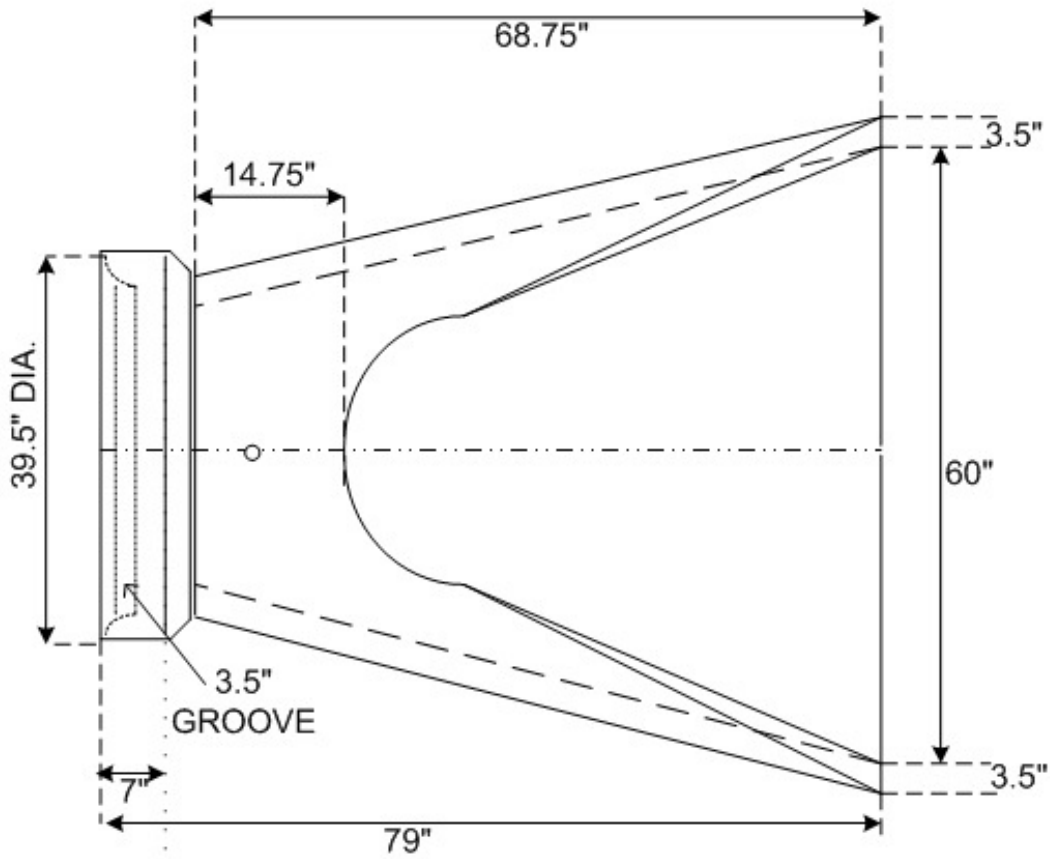


30" FLAT BOTTOM FLARED END SECTION W/MODIFIED BELL



2121 Maple Road
Joliet, IL 60432
Phone: (815)726-3351
Fax: (815) 726-2945

30" FLAT
BOTTOM
FLARED END
SECTION W/
MODIFIED BELL

For pricing information,
phone, fax or email
estimate@norwalktank.com